

4591 Deadlatch Paddle

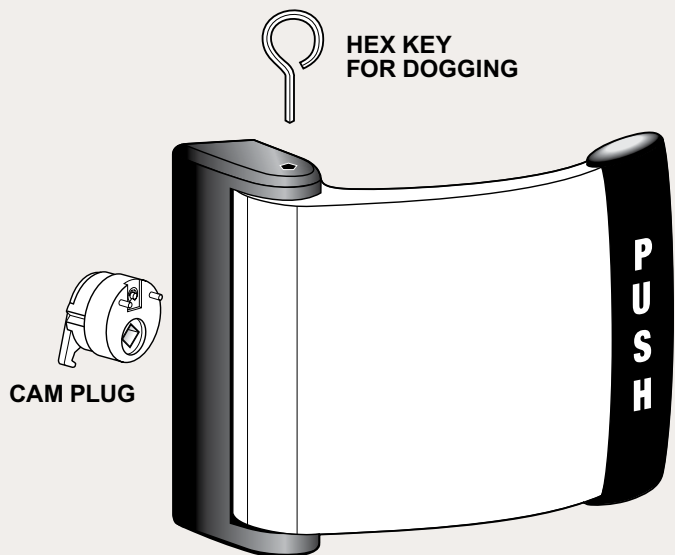
The 4591 Deadlatch Paddle is an ergonomically-friendly alternative to a knob or lever handle. Operate with a simple push or pull.

Function

An alternative to knob or lever handles. Makes opening a latched door as natural as opening an unlatched one – just push or pull in the direction the door swings. Available for any Adams Rite 4300, 4500 or 4900 Series Deadlatch, MS+1890 Deadlock/Latch, or 2190/2290 Interconnected Deadbolt/Deadlatch.

Operation

Available in four configurations: push to left, push to right, pull to left, and pull to right. Can be reconfigured to any mode in the field. Dogging not to be installed in pull configuration.



Specifications

PADDLE

- Extruded aluminum, 628 Clear Anodized finish (US28). 313 Dark Bronze Anodized and 335 Black Anodized are also available. US3 Bright Brass, US26 Bright Chrome, or US26D Satin Chrome plating is also available.

ESCUTCHEON

- Zinc alloy with Black finish. Houses steel operating mechanism. Secured to door stile with special binder posts that extend into the escutcheon to rigidly resist torque loads in any direction.

CAM PLUG

- Furnished for use with 4300, 4500 and 4900 Series Deadlatches. Cam plug not for use with MS+1890 Deadlock/Latch or 2190/2290 Interconnected Deadbolt/Deadlatch. Secured in latch body by cylinder setscrew, plug is also rigidly tied to escutcheon by hardened steel pins.

MONITOR SWITCH OPTIONS

4591M

- Paddle without latch drive mechanism but with switch that can be wired to make or break a low voltage circuit.

4591MA

- Paddle with latch drive mechanism, complete active paddle with switch.

91-0914 MONITOR SWITCH KIT

- Adds monitor switch function to 4591 Paddle ("push" version only).

PADDLE DOGGING ("PUSH" VERSIONS ONLY)

- Turning hex key in escutcheon holds the paddle down, leaving door free-swinging. Dogging key provided.

OPTIONS

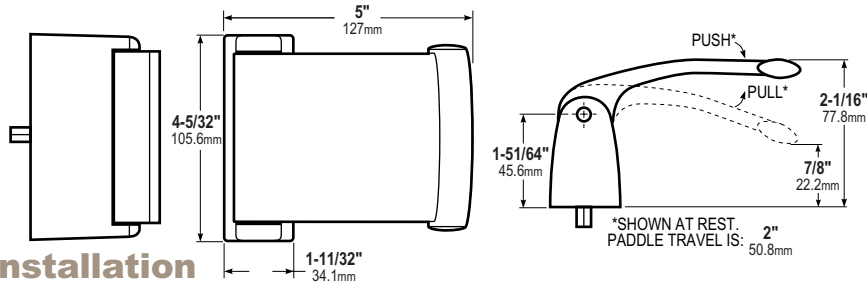
- First dash number specifies operation (handing) and compatible latch. Second dash number can be used to specify non-standard units for doors thicker than 1-3/4" (see dash table on back of page). Also available: 4591M Paddle/switch to actuate magnetic lock, alarm, etc. (No latch retracting mechanism). 4591MA Active Paddle with switch and latch retracting mechanism. 4781 Two-Point Deadlatch uses a modified, but matching version of the 4591 Paddle.

STANDARD PACKAGE

- Individually boxed with dogging hex key and mounting hardware. Units for 4300, 4500 or 4900 Series Deadlatches include cam plug. Shipping weight: 1-1/2 lbs.

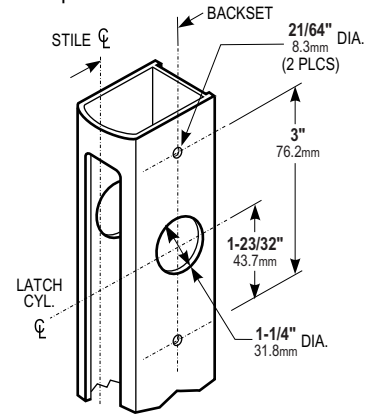
All measurements are approximate and are provided for informational purposes only. Refer to the product Installation Instructions.

Dimensions

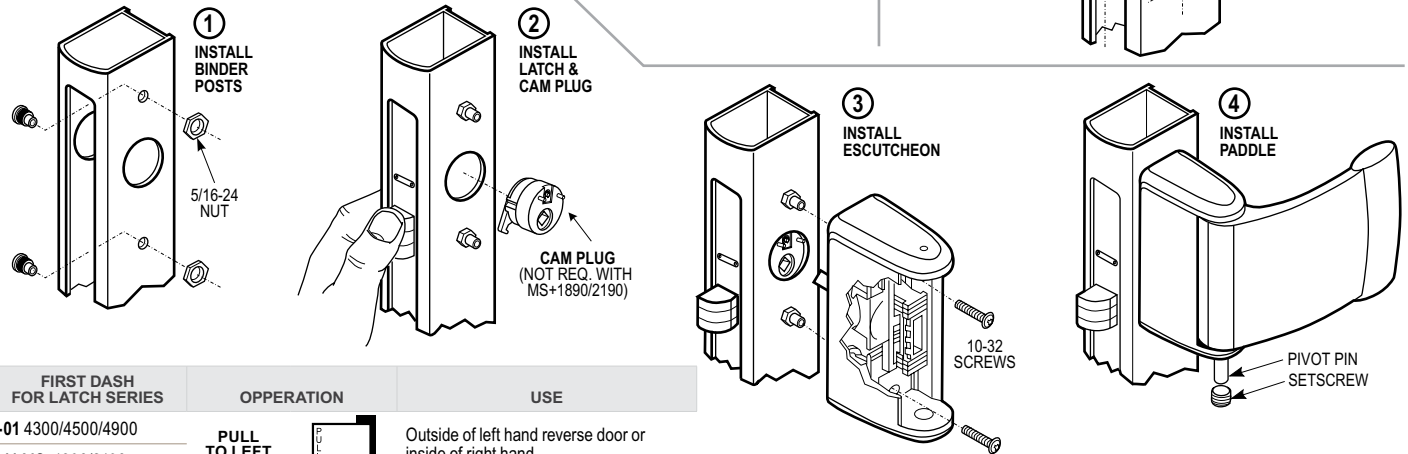


Stile Preparation

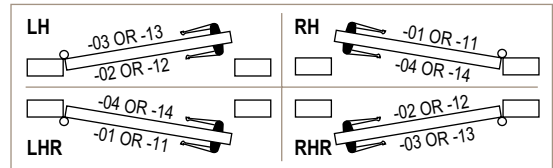
For 4500/4900 latches, see MS+1890/2190 for different hole pattern



Installation



FIRST DASH FOR LATCH SERIES	OPERATION	USE
-01 4300/4500/4900	PULL TO LEFT	Outside of left hand reverse door or inside of right hand
-11 MS+1890/2190		
-02 4300/4500/4900	PUSH TO LEFT	Outside of left hand door or inside of right hand reverse
-12 MS+1890/2190		
-03 4300/4500/4900	PULL TO RIGHT	Outside of right hand reverse door or inside or left hand
-13 MS+1890/2190		
-04 4300/4500/4900	PUSH TO RIGHT	Outside of right hand door or inside of left hand reverse
-14 MS+1890/2190		



HOW TO ORDER 4591 DEADLATCH PADDLE

Specify quantity and the following information. Order related products separately.

PRODUCT NO.	OPTIONS**	OPERATION	DOOR THICKNESS	FINISH*
4591	M	02	-00	-313
	- Standard Paddle	See table above	For 4300, 4500, 4900 Series Deadlatches	For MS+1890, 2190
	M Paddle w/ switch only		00 1-3/4"	313 Dark Bronze Anodized
	MA Active paddle w/ switch		01 1-13/16" to 2"	335 Black Anodized
			02 2-1/4" to 2-1/2"	01 1-3/4" to 2-1/4"
			03 2-3/4" to 3"	02 2-5/16" to 2-1/2"
			04 3-1/4"	03 2-9/16" to 2-3/4"
				628 Clear Anodized
				US3 Bright Brass
				US26 Bright Chrome
				US26D Satin Chrome

* Paddle only. ** M and MA options available on push paddles only, not pull paddles.

RELATED PRODUCTS

When purchasing this product, please consider the following related products, available separately:

Accessories

91-0914 Monitor Switch Kit.

COMPATIBLE PRODUCTS

This product is compatible with the following products:

Deadlocks

MS+1890 Deadlock/Latch
2190/2290 Interconnected Deadbolt/Deadlatch

Deadlatches

4300 eLatch Electrified Deadlatch
4500 Series Standard Duty Deadlatch
4900 Series Heavy Duty Deadlatch